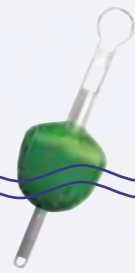


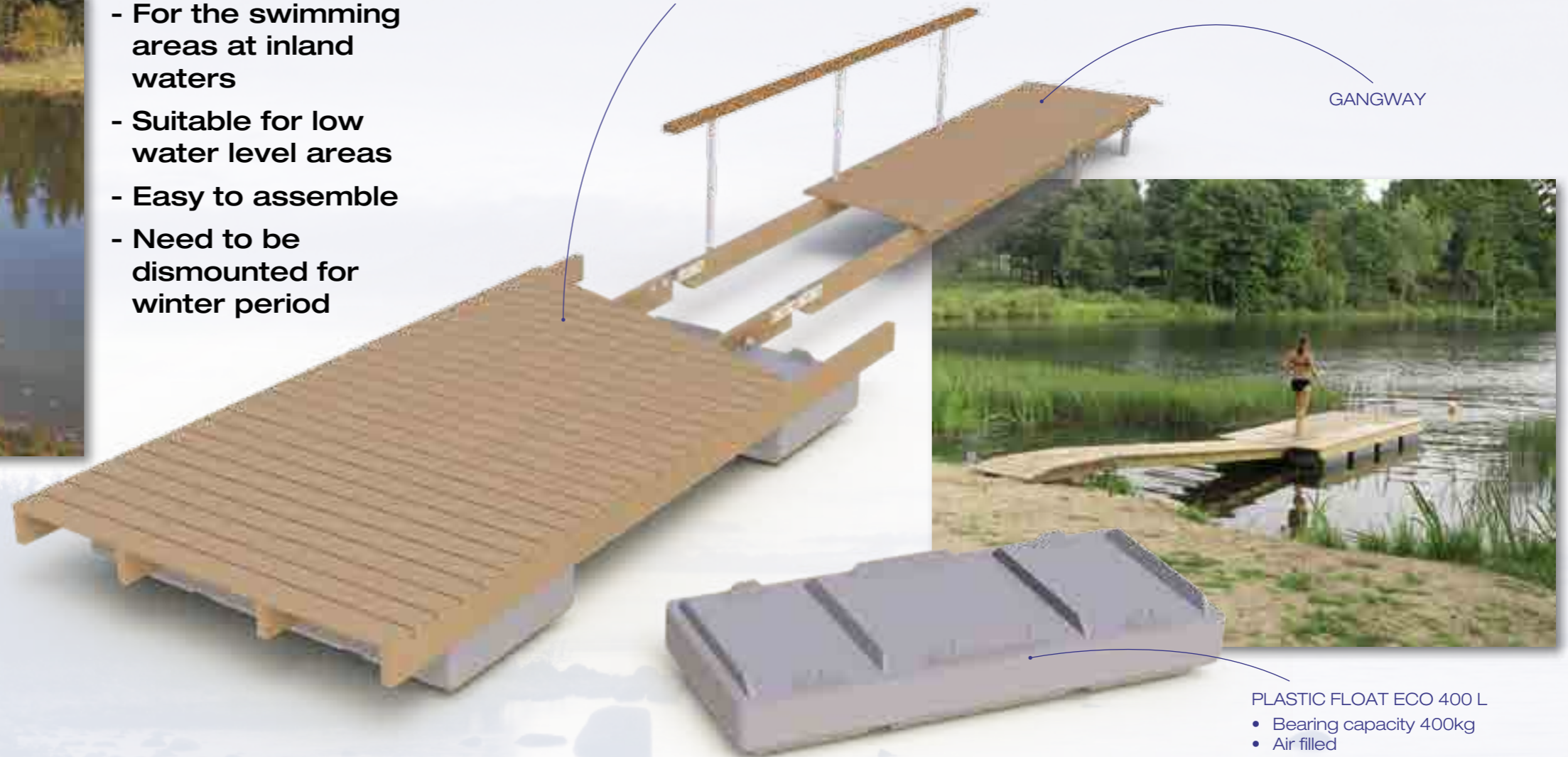
Swimming pontoon ECO



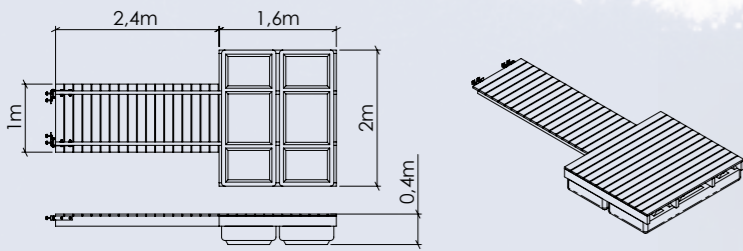
- For the swimming areas at inland waters
- Suitable for low water level areas
- Easy to assemble
- Need to be dismantled for winter period

DEEP IMPREGNATED WOODEN DECK

GANGWAY



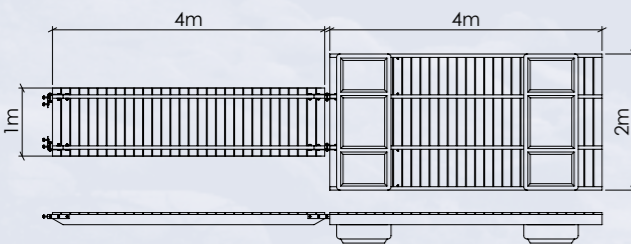
PLASTIC FLOAT ECO 400 L
 • Bearing capacity 400kg
 • Air filled



Swimming pontoon ECO 2 m 718 EUR

Wooden deck	1 pc	358 EUR
Plastic float ECO 400 I	2 pc	360 EUR

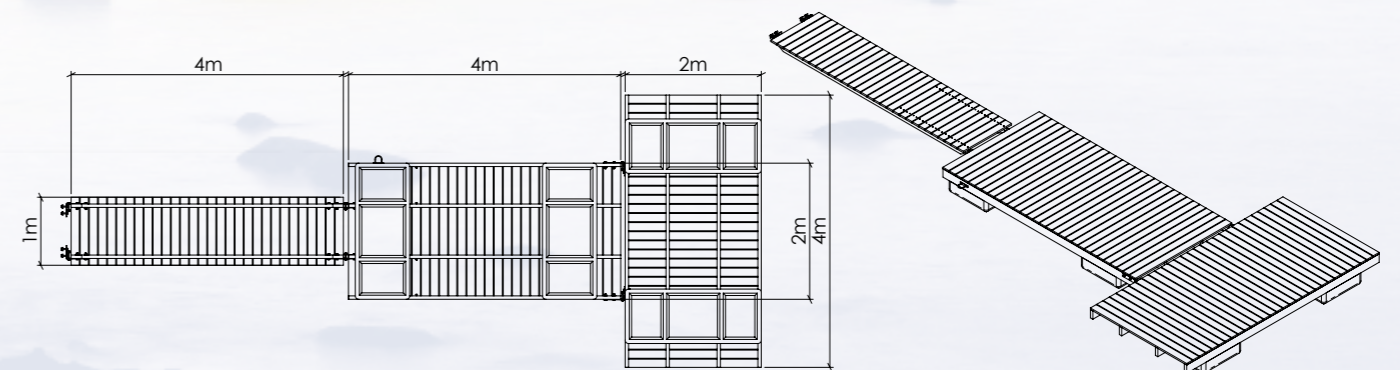
Bearing capacity 647 kg, weight 126 kg, freeboard 0.4 m.



Swimming pontoon ECO 4 m 1 047 EUR

Wooden deck 2 x 4 m	1 pc	365 EUR
Plastic float ECO 400 I	2 pc	360 EUR
Gangway 1 x 4 m	1 pc	322 EUR

Bearing capacity 631 kg, weight 169 kg, freeboard 0.37 m.



Swimming pontoon ECO 4 + 4 m 1 838 EUR

Wooden deck 2 x 4 m	2 pc	796 EUR
Plastic float ECO 400 I	4 pc	720 EUR
Gangway 1 x 4 m	1 pc	322 EUR

Bearing capacity 1262 kg, weight 338 kg, freeboard 0.37 m.