

Boat pontoon with plastic floats



- Boat or swimming pontoon for year-round use at inland waters
- Strong modular design
- High bearing capacity
- Easy to assemble

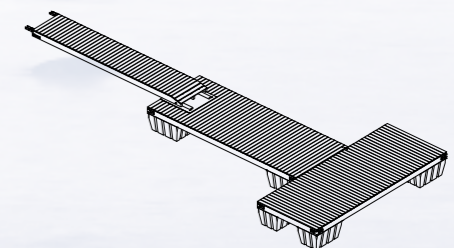
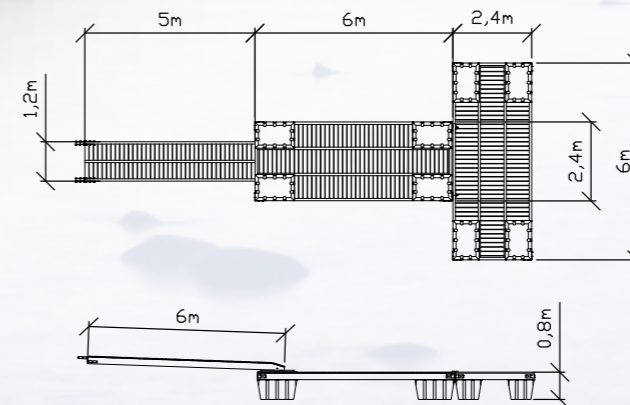
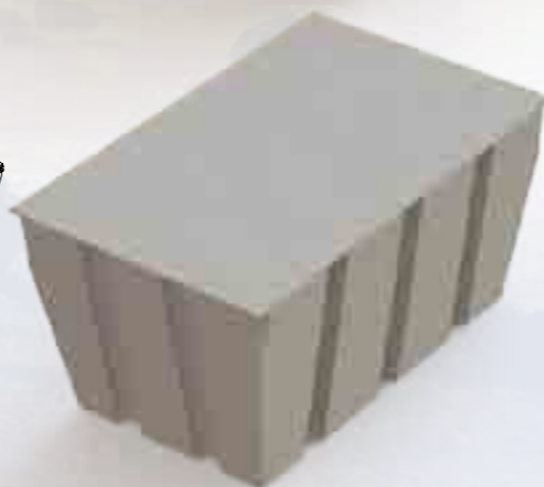
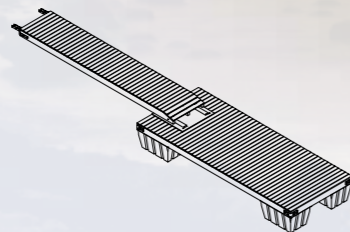
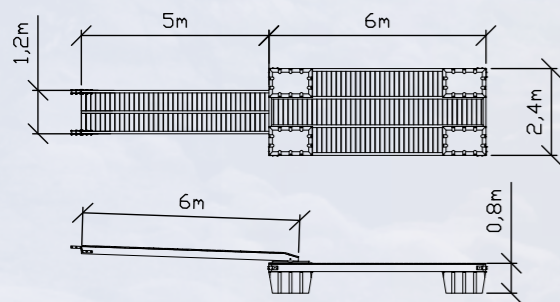
DEEP IMPREGNATED WOODEN DECK

GANGWAY



PLASTIC FLOAT 450 L

- Bearing capacity 450kg
- Filled with polystyrene EPS 100



Boat pontoon 6 m 2 715 EUR

Wooden deck 2.4 x 6 m	1 pc	953 EUR
Plastic float 450 l	4 pc	1 020 EUR
Gangway 1.2 x 6 m	1 pc	742 EUR

Bearing capacity 1393 kg, weight 406 kg, freeboard 0.65 m.

Boat pontoon 6 + 6 m 4 752 EUR

Wooden deck 2.4 x 6 m	2 pc	1 970 EUR
Plastic float 450 l	8 pc	2 040 EUR
Gangway 1.2 x 6 m	1 pc	742 EUR

Bearing capacity 2786 kg, weight 812 kg, freeboard 0.65 m.